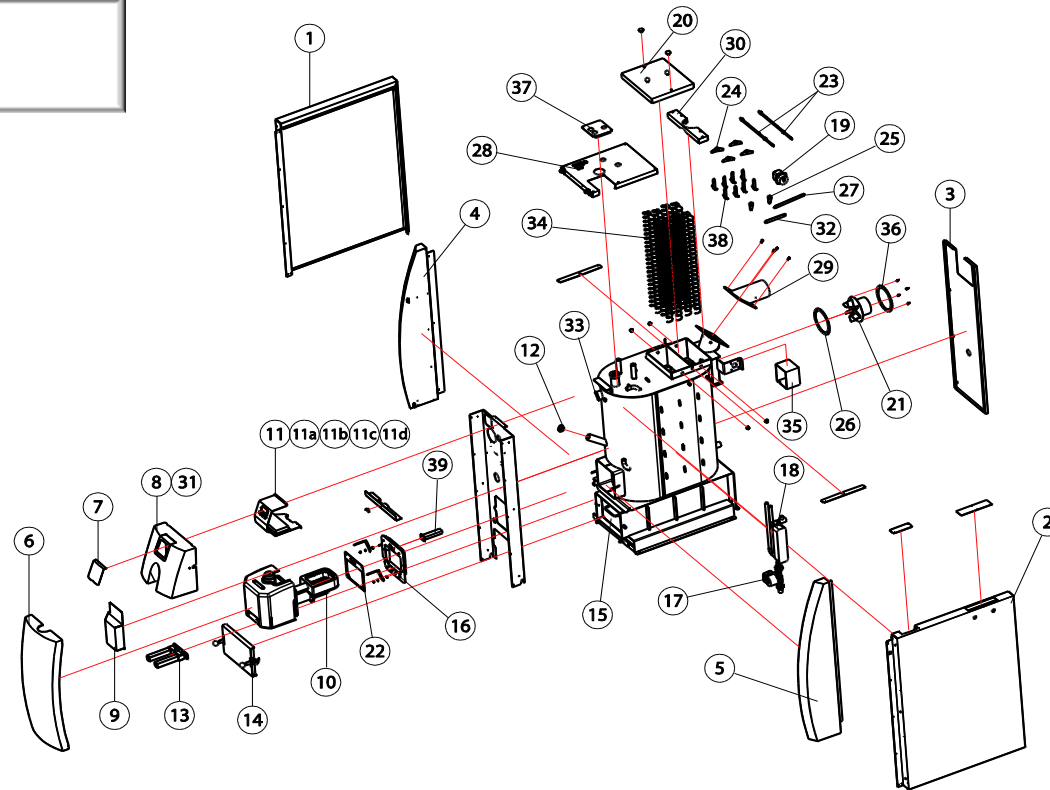
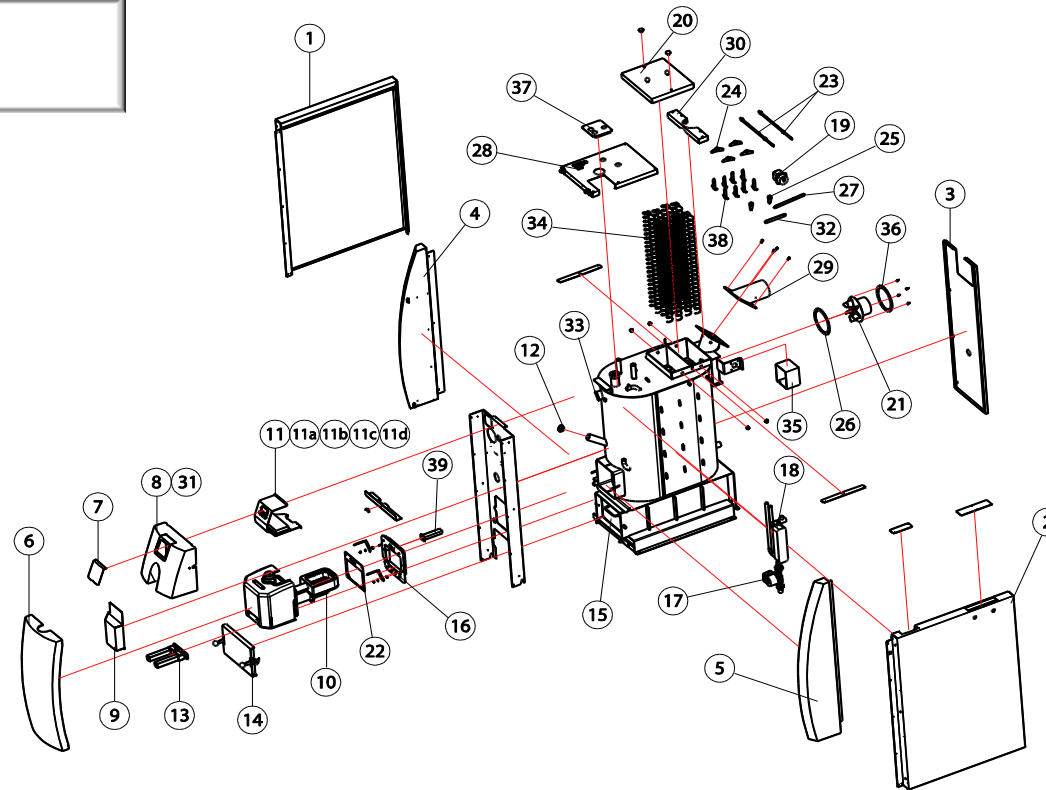


Article: **4315, 4316, 4317**
 Valid from serialnumber: **100018**
 Valid to serialnumber:
 Updated: **05.03.2014**



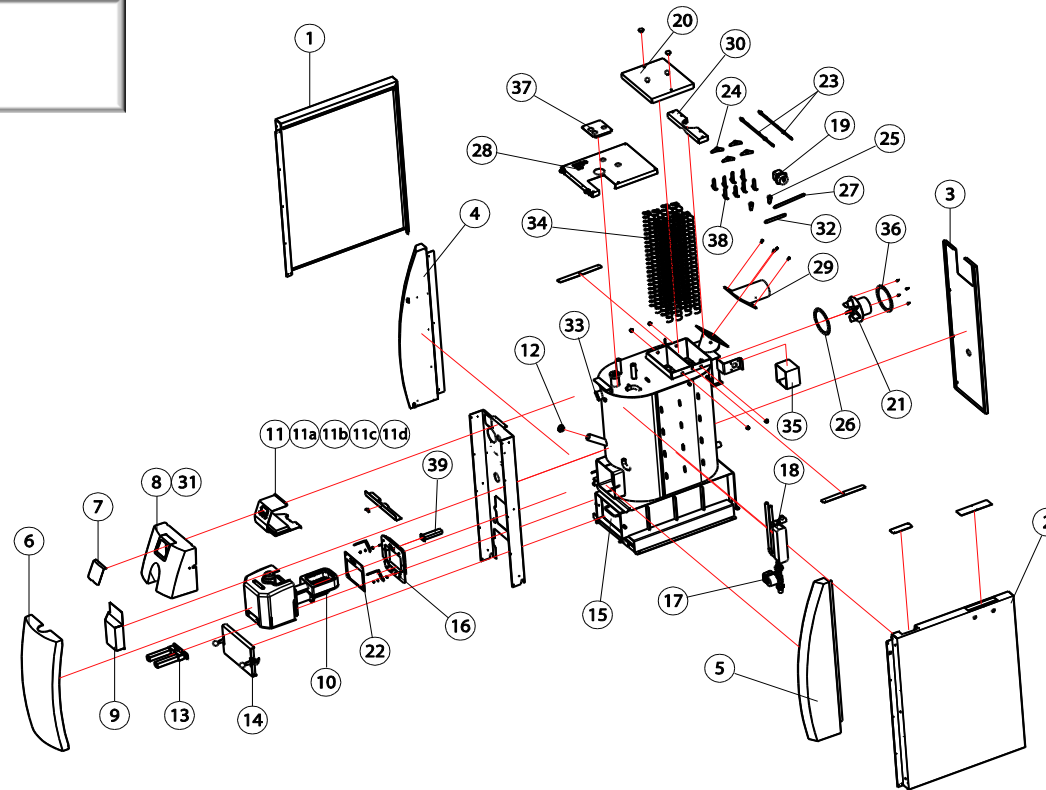
	Product nr. FIN	Product nr. SWE	Product name	Further information	Weight	Installer	Distributor
1	BM40-38	5190	Side cover left		5,0		
2	BM40-37	5191	Side cover right		5,0		
3	BM40-39	5192	Backside cover plate		5,0		
4	13584	5048	Front corner left		4,0		
5	13583	5049	Front corner right		4,0		
6	13586	5050	Front cover lower		2,0		
7	13585	5051	Display cover		0,1		
8	13587	5027	Front cover upper		4,0		
9	25024	5052	Safety cover for circulation pump		1,5		
10	5151234	1068	Ariterm BeQuem 40		25,0		
11	Z14521	5054	Control panel cpl, Ariterm Biomatic+ 40		2,5		X
11	Z14521	5054	Control panel cpl, Ariterm Biomatic+ 40 Light		2,5		X
11	Z14521	5054	Control panel cpl, Ariterm Biomatic+ 40 Ultra Light		2,5		X
11a	14059	5522	Power circuit card		1,0	X	X
11b	13721	1692	Display card		0,2	X	X

Article: **4315, 4316, 4317**
 Valid from serialnumber: **100018**
 Valid to serialnumber:
 Updated: **05.03.2014**



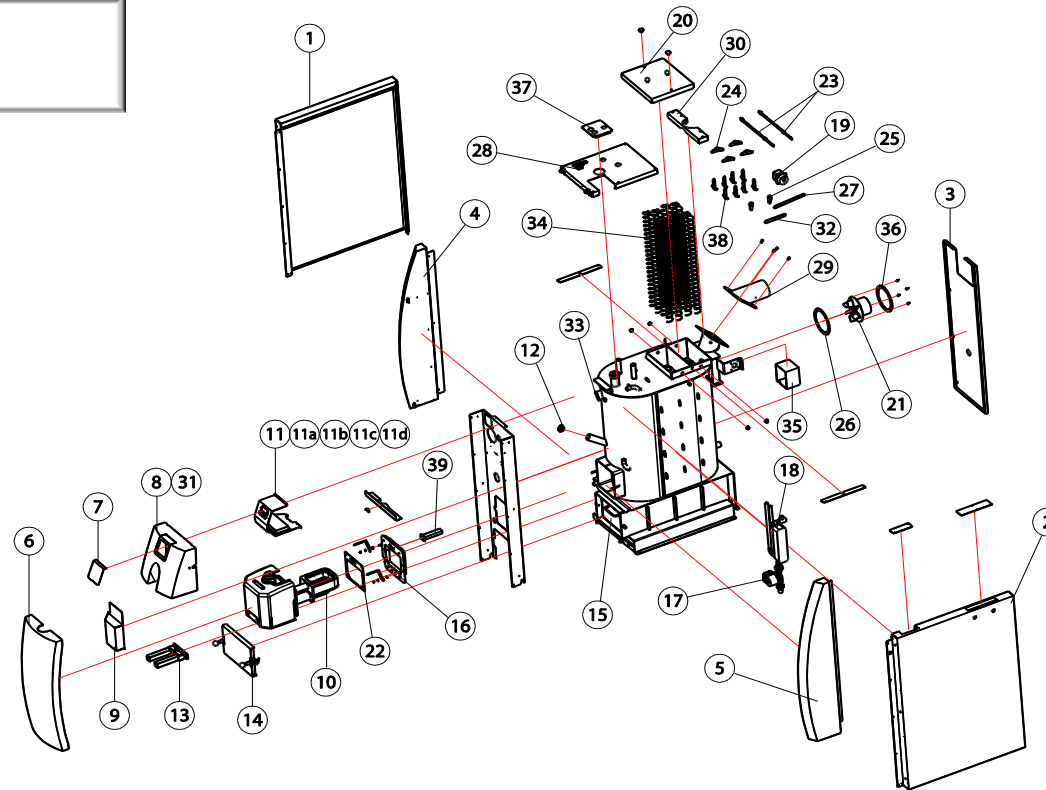
	Product nr. FIN	Product nr. SWE	Product name	Further information	Weight	Installer	Distributor
11c	V200003	5501	Processor		0,1	X	X
11d	1163	5936	Thermal protection		0,2		X
12	14057	5057	Observation glass		0,1		X
13	13256	2422	Guide base		3,0		
14	V200004	5059	Ash hatch		5,0		
15	Z19016	5193	Ash box		5,0		
16	Z10058	5819	Mounting flange BeQuem 40 burner		3,5		
17	5660	5787	Circulation pump	UPS 25-40 1V 96281364 without connections	3,0	X	X
18	25081	5952	Heat exchanger	E8THx26 2X1/2" AISI3162X3/4"	4,0		X
19	14054	5062	Motor, automatic ash remove	TS09-0175 1,8rpm 230 VAC 50 Hz	1,5	X	X
20	Z19015	5194	Convection cleaning hatch		5,0		
21	13608	1541	Flue gas fan	230V KLF44TW 450G R2E180CG8218	2,0	X	X
22	13251	5824	Sealing BeQuem 40/Biomatic+	Between burner and boiler	0,1		X
23	14481	5195	Turbulence axle	D12x475 BM40-47	2,0		
24	14487	5196	Turbulence swing arm	BM40-50	0,2		
25	14486	5197	Turbulence operation axle	BM40-55	0,2		

Article: **4315, 4316, 4317**
 Valid from serialnumber: **100018**
 Valid to serialnumber:
 Updated: **05.03.2014**



	Product nr. FIN	Product nr. SWE	Product name	Further information	Weight	Installer	Distributor
26	13251	5198	Sealing	2x241x256 165073B	0,2		
27	14696	5199	Turbulence pusher axle	4x20x313 BCOM120-57	1,0		
28	BM40-40	5230	Top cover plate front		3,0		
29	QBCOM015	5226	Flue pipe connection		5,0		
30	BM40-41	5070	Top cover plate rear	155306F Arterm Biomatic+	2,0		
31	25034	5071	Lift bar, front cover	155335A Arterm Biomatic+	0,2		
32	14483	5549	Turbulence middle axle	4x20x180 BM40-56	1,0		
33	13143	5072	Electric resistance 6+3 kW	AISI 316L 503209	3,0		
34	13053	5902	Turbulator spring	155163 fire resist 3 mm	0,5		
35	14108	5556	Capacitor box		0,5		
36	V33-233	5564	Ring for flue gas fan motor		0,3		
37	BM40-43	5575	Service hatch for heat exchanger		0,1		
38	14488	5352	Turbulence lift hook	BM40-53	0,3		
39	10915	5960	Secondary air pipe		0,5		

Article: **4315, 4316, 4317**
 Valid from serialnumber: **100018**
 Valid to serialnumber:
 Updated: **05.03.2014**



Product nr. FIN	Product nr. SWE	Product name	Further information	Weight	Installer	Distributor
OTHER ITEMS						
3492	5686	Flexible ramrod	1250 mm	2,0		
1356	5823	Brush shaft	For combustion chamber cleaning	2,0		
5362	3296	Shunt valve 4-way, TM20		2,5		X
14048	5820	Shunt motor	ESBE ARA661 3-point SPDT 230Vac 6Nm 120s	1,5		X
2021	5364	Mud filter 3/4"		1,5	X	X
3487	5385	Soot sweeping brush 35x120	For flue pipe	0,2	X	X
3489	5386	Soot sweeping brush Ø62	For convection cleaning	0,2	X	X
13245	5362	Boiler temperature sensor		0,1	X	X
13245	5292	Indoor temperature sensor		0,1	X	X
13249	5358	Flue gas temp sensor		0,1	X	X
14066	5291	Outdoor sensor	NTC1K	0,1	X	X
5311	5708	Flow switch	Gentech FS-05	1,0		X
14067	5292	Flow sensor	NTC22K	1,0		X