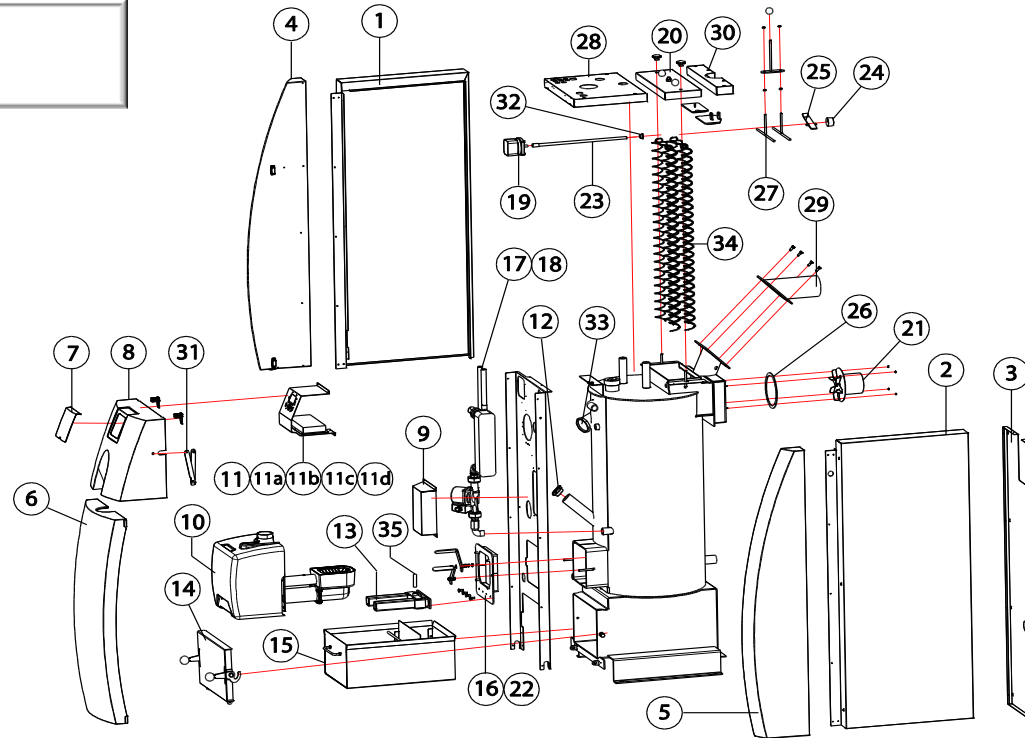
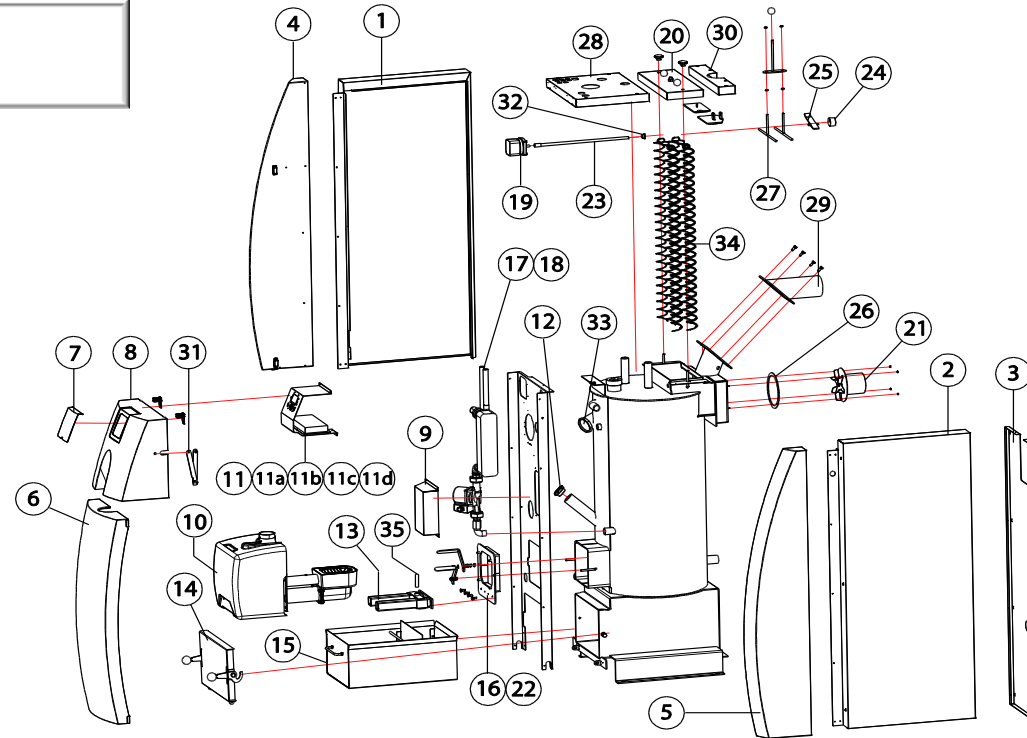


Article: **4306, 4307, 4308**  
 Valid from serialnumber: **190003**  
 Valid to serialnumber:  
 Updated: **08.04.2014**



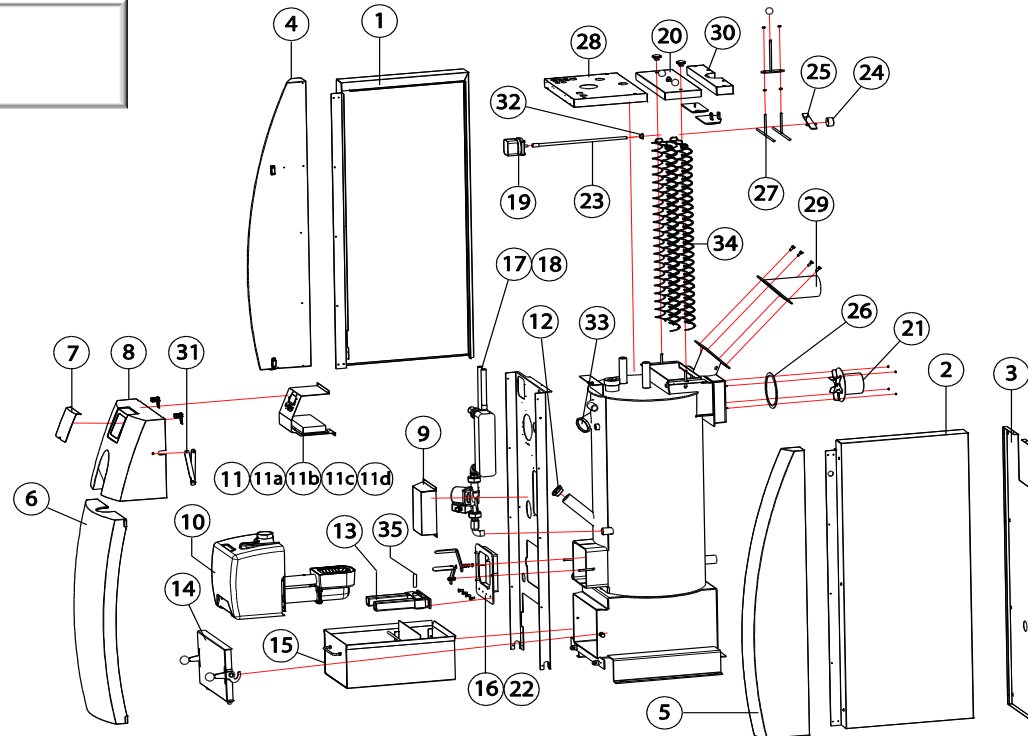
	Product nr. FIN	Product nr. SWE	Product name	Further information	Weight	Installer	Distributor
1	25021	5046	Side cover left		5,0		
2	25022	5026	Side cover right		5,0		
3	25023	5047	Backside cover plate		5,0		
4	13584	5048	Front corner left		4,0		
5	13583	5049	Front corner right		4,0		
6	13586	5050	Front cover lower		2,0		
7	13585	5051	Display cover		0,1		
8	13587	5027	Front cover upper		4,0		
9	25024	5052	Safety cover for circulation pump		1,5		
10	515127	1058	Arterm BeQuem 20		25,0		
11	Z25029	5054	Control panel cpl, Arterm Biomatic+ 20		2,5		X
11	Z25030	5055	Control panel cpl, Arterm Biomatic+ 20 Light		2,5		X
11	Z25031	5056	Control panel cpl, Arterm Biomatic+ 20 Ultra Light		2,5		X
11a	14059	5522	Power circuit card		1,0	X	X
11b	13721	1692	Display card		0,2	X	X
11c	V200003	5501	Processor		0,1	X	X
11d	1163	5936	Thermal protection		0,2		X

Article: **4306, 4307, 4308**  
 Valid from serialnumber: **190003**  
 Valid to serialnumber:  
 Updated: **08.04.2014**



	Product nr. FIN	Product nr: SWE	Product name	Further information	Weight	Installer	Distributor
12	14057	5057	Observation glass		0,1		X
13	13256	2422	Guide base		3,0		
14	V200004	5059	Ash hatch		5,0		
15	Z14055	5060	Ash box		5,0		
16	25028	5061	Mounting flange BeQuem 20 burner		3,5		
17	5660	5787	Circulation pump	UPS 25-40 1V 962813641V, without connections	3,0	X	X
18	25081	5952	Heat exchanger	E8THx26 2X1/2" AISI3162X3/4"	4,0		X
19	14054	5062	Motor, automatic ash remove	TS09-0175 1,8rpm 230 VAC 50 Hz	1,5	X	X
20	Z14058	5063	Convection cleaning hatch		5,0		
21	14102	5931	Flue gas fan	RR152 3025LH	2,0	X	X
22	1774	5356	Sealing BeQuem 20/Biomatic+	Between burner and boiler	0,1		X
23	14033	5064	Turbulence operation axle	155354A koottu Biomatic+	2,5		
24	14034	5065	Turbulence eccentric	155355B Biomatic+	0,1		
25	14035	5066	Turbulence lifter	155356A Biomatic+	0,2		
26	14042	5067	Sealing	Q 175x150x2 Aramit-fiber 155369 Biomatic+	0,2		
27	13138	5068	Turbulator lift	Complete	0,5		
28	155310	5028	Top cover plate front	155310H Arterm Biomatic+	3,0		
29	Z1468	5069	Flue pipe connection		5,0		
30	155306	5070	Top cover plate rear	155306F Arterm Biomatic+	2,0		

Article: **4306, 4307, 4308**  
 Valid from serialnumber: **190003**  
 Valid to serialnumber:  
 Updated: **08.04.2014**



	Product nr. FIN	Product nr: SWE	Product name	Further information	Weight	Installer	Distributor
30,9	25034	5071	Lift bar, front cover	155335A Arterm Biomatic+	0,2		
32	9710-52380001	5425	Bronze bearing	12/18X8-24X3 SMS779*	0,1	X	X
33	13143	5072	Electric resistance 6+3 kW	AISI 316L 503209	3,0		
34	13053	5902	Turbulator spring	155163 fire resist 3 mm	0,5		
35	13582	5031	Guide base bolt	BQ20-217A	0,1		

**OTHER ITEMS**

	3492	5686	Flexible ramrod	1250 mm	2,0		
	1356	5823	Brush shaft	For combustion chamber cleaning	2,0		
	5362	3296	Shunt valve 4-way, TM20		2,5		X
	14048	5820	Shunt motor	ESBE ARA661 3-point SPDT 230Vac 6Nm 120s	1,5		X
	2021	5364	Mud filter 3/4"		1,5	X	X
	3487	5385	Soot sweeping brush 35x120	For flue pipe	0,2	X	X
	3489	5386	Soot sweeping brush Ø62	For convection cleaning	0,2	X	X
	13245	5362	Boiler temperature sensor		0,1	X	X
	14101	5292	Indoor temperature sensor		0,1	X	X
	13249	5358	Flue gas temp sensor		0,1	X	X
	14066	5291	Outdoor sensor	NTC1K	0,1	X	X
	5311	5708	Flow switch	Gentech FS-05	1,0		X
	14067	5292	Flow sensor	NTC22K	1,0		X