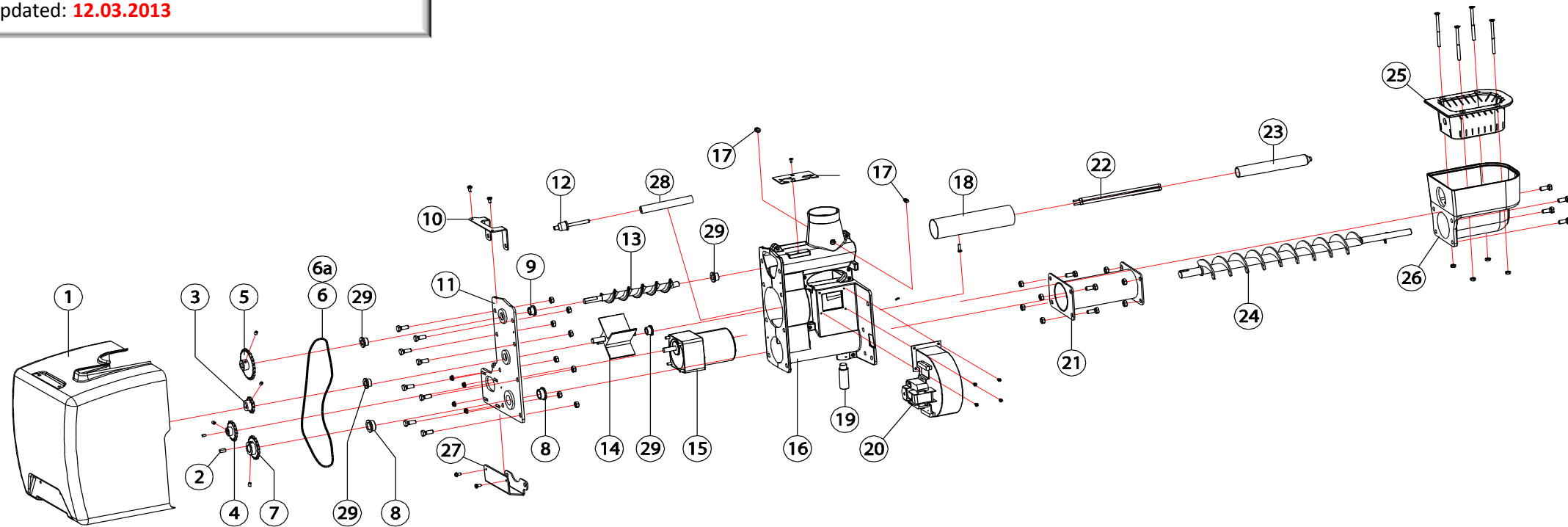


# Arterm BeQuem 20 for Arterm Biomatic+ 20

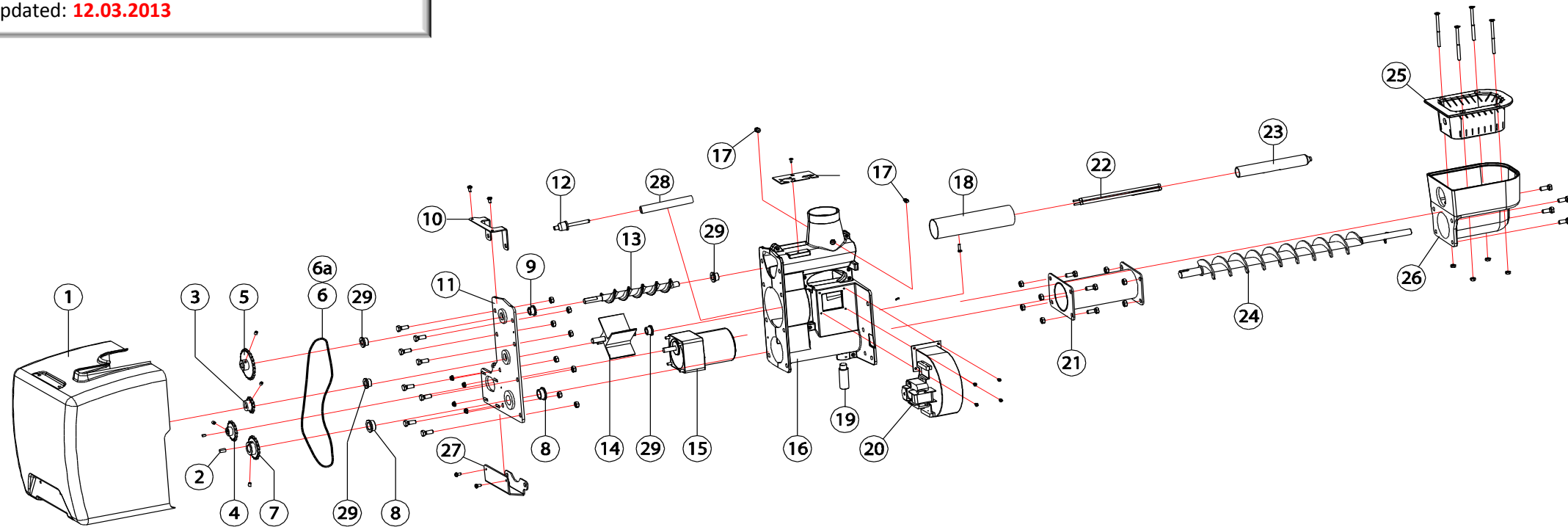
Article: **1058**  
 Valid from serialnumber: **55001**  
 Valid to serialnumber:  
 Updated: **12.03.2013**



	Product nr. FIN	Product nr: SWE	Product name	Further information	Weight	Installer	Distributor
1	13257	5022	Inner safety cover	BQ20-206A	2,0		
2	10819	5888	Key 6x6x20	6x6x20 L7	0,1		
3	1136	5346	Cogg drive Z=12		0,1		X
4	13197	5023	Cogg drive Z=15	BQ20-133B	0,1		X
5	13198	5831	Cogg drive Z=24	BQ20-127	0,2		X
6	V19015	5886	Chain 79 link		0,2	X	X
6a	1139	5421	Chain connecting link		0,1	X	X
7	13201	5025	Cogg drive Z=18	BQ20-136A	0,1		X
8	10822	5339	Bronze bearing	18/24x12-30x3	0,1	X	X
9	9710-52380001	5425	Bronze bearing	12/18x8-24x3 SMS779*	0,1	X	X
10	13594	5039	Upper support for safety cover	BQ20-08, BQ20-210A	0,2		
11	13528	5040	Motor plate	BQ20-211A	3,0		
12	10668	5359	Flame sensor		0,1	X	X

# Arterm BeQuem 20 for Arterm Biomatic+ 20

Article: **1058**  
 Valid from serialnumber: **55001**  
 Valid to serialnumber:  
 Updated: **12.03.2013**



	Product nr. FIN	Product nr: SWE	Product name	Further information	Weight	Installer	Distributor
13	13185	5041	Feeding screw	BQ20-128B	0,5		
14	13187	5486	Locker feeder BQ20-100C	Chain drive BQ20-100C	0,5	X	X
15	Z10477	5488	Burner motor	S8I15GXCE/S8KA180M	3,0	X	X
16	13526	5029	Burner housing left/right block	BQ20-105C/106D	5,0		
17	10669	5360/5361	Level sensors transm/receiver	Transmitter and receiver	0,1	X	X
18	13191	5030	Air pipe BQ20	BQ20-116A	0,3		
19	13582	5031	Guide base bolt	BQ20-217A	0,1		
20	13356	5939	Combustion fan	SUO78613	1,2	X	X
21	13190	5032	Burner screw pipe	BQ20-123C	1,0		
22	13199	5033	Ignition element 450W	230V BQ20-126 AISI 316	0,2	X	X
23	13186	5034	Ignition pipe	BQ20-134	0,2		
24	13192	5035	Burner screw	BQ20-123C	3,0		
25	13184	5036	Primary air ring BQ20 Alu	BQ20-304A	3,0		X
26	13183	5037	Burn cup, outer mould	BQ20-303C	4,0		X
27	13595	5038	Lower support for safety cover	BQ20-08, BQ20-209B	0,2		
28	13204	5115	Pipe, flame sensor	BQ20-132	0,2		X
29	11015	5840	Bronze bearing	12/18x12-24x3	0,1		X